

Sliding Window Flow Control

Not allowed to transmit

Allowed to transmit

Transmitted; not yet ACKed

ACKed

Propagation = 200

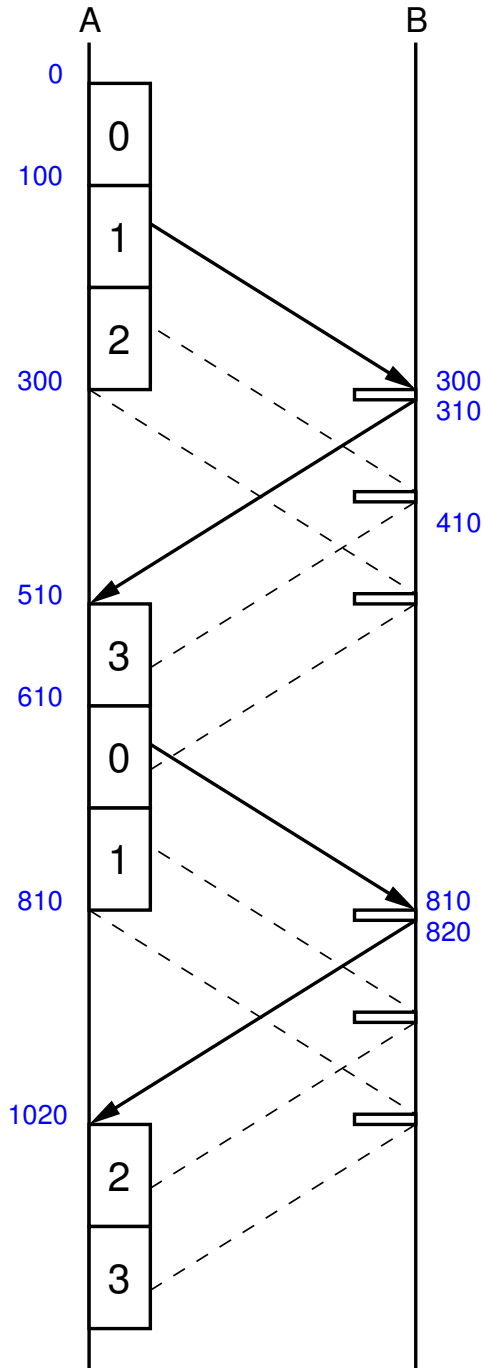
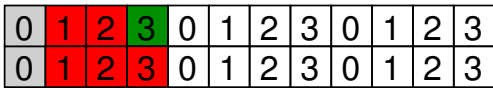
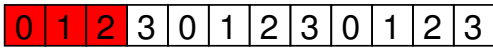
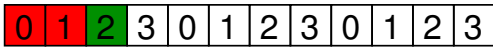
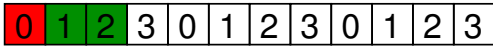
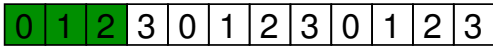
DATA transmission = 100

(90 data, 10 header)

ACK transmission = 10

2-bit sequence number (W=3)

Note: units are not given



Performance:

A sends 3 frames to B then must wait for ACK of 1st frame; then can send another 3 frames.

A delivers 3 frames to B every 510

Each frame is 90 of real data

Efficiency: $3 \times 90 / 510 = 52.94\%$